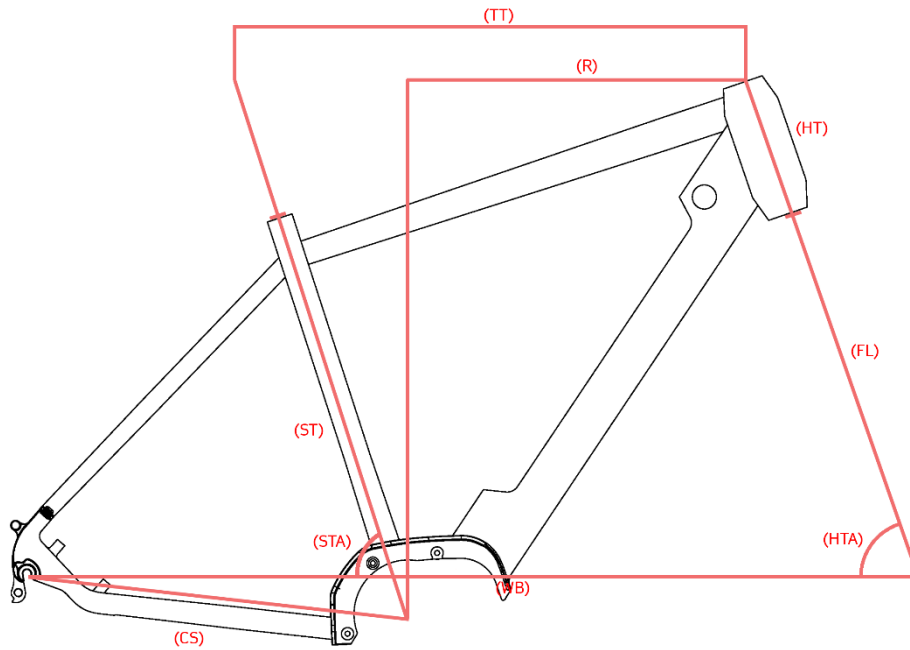


Geometry...

Velectrix Australia's Leading E-bike Brand



Frame Size	M (45cm)	L (51cm)	XL (56cm)
Tyre Size	27.5'	27.5'	27.5'
Seat Tube (ST)	450mm	510mm	560mm
Top Tube (TT)	615mm	620mm	625mm
Reach (R)	400mm	410mm	415mm
Chain Stay (CS)	470mm	470mm	470mm
Head Tube Angle (HTA)	70°	71°	71°
Seat Tube Angle (STA)	72°	72°	72°
Stack (S)	655mm	650mm	640mm
Head Tube (HT)	180mm	170mm	160mm
Fork Length (FL)	477mm	477mm	477mm
Wheel Base (WB)	1132mm	1128mm	1130mm

Colour: Blue
Size: Medium (45cm), large (51 cm), XL (56cm)
Fork: 100mm travel suspension
Tyres: Kenda K-Komfort 27.5" x 1.95"
Brakes: Hydraulic disc (160mm rotors)
Gears: 8 speed

Motor: Bafang M200 250 watt, 36 volt mid drive
Drive type: Torque sensor
Battery: 36 volt 12.8ah (460wh) frame integrated
Display: LCD
Extras: Kickstand, mudguards, lights, rear rack